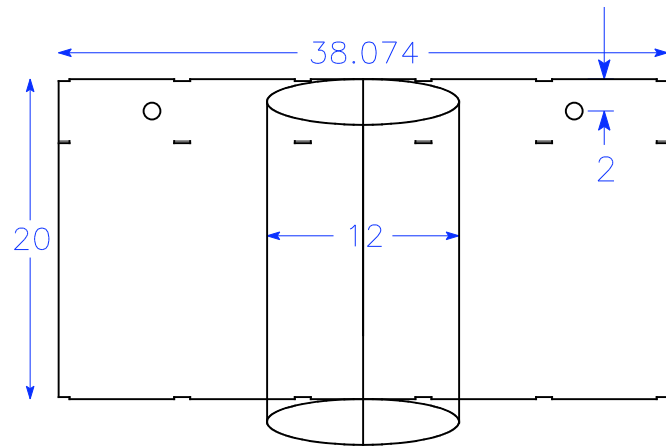


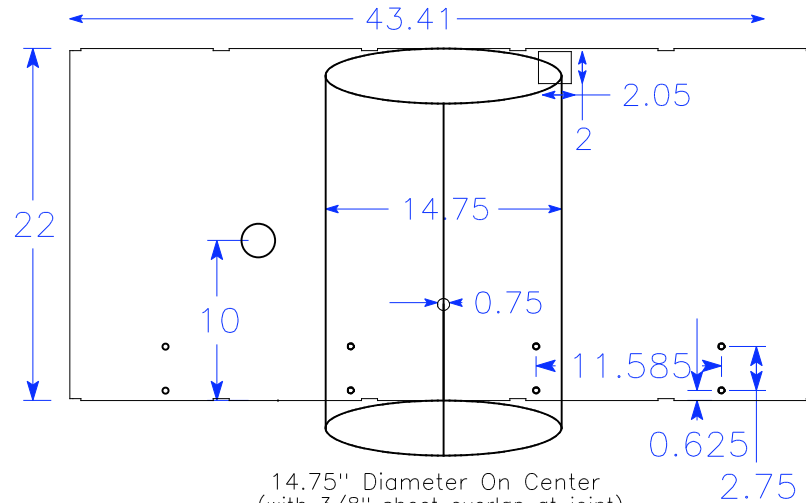
# GEK Vessel Tubes v3.0: rolled from flat sheet

(Cut from 16awg or 1/16" thick mild steel sheet)



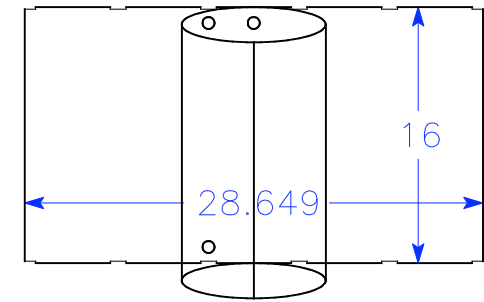
12" Diameter On Center  
(with 3/8" sheet overlap at joint)

**Downdraft Reactor Outside**



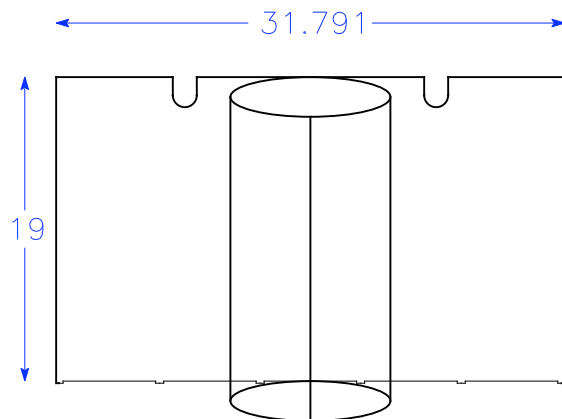
14.75" Diameter On Center  
(with 3/8" sheet overlap at joint)

**Gas Cowling**



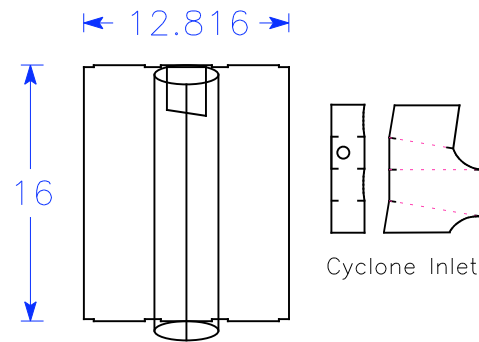
9" Diameter On Center  
(with 3/8" sheet overlap at joint)

**Packed Bed Filter**



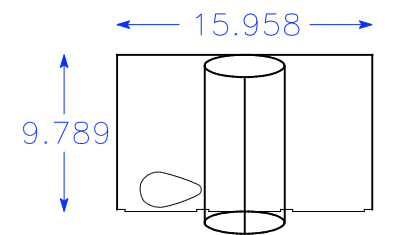
10" Diameter On Center  
(with 3/8" sheet overlap at joint)

**Downdraft Reactor Inside/Insulation**



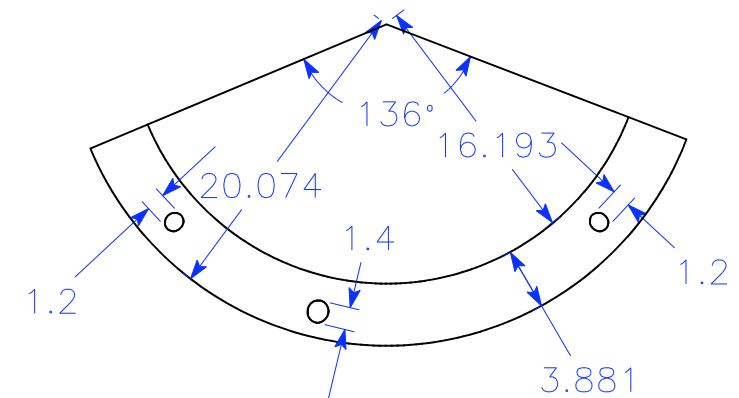
4" Dia cylinder"  
(with 1/4" sheet overlap)

**Cyclone**



5" Diameter On Center  
(with 1/4" sheet overlap at joint)

**Swirl Burner**



**Air Neck**