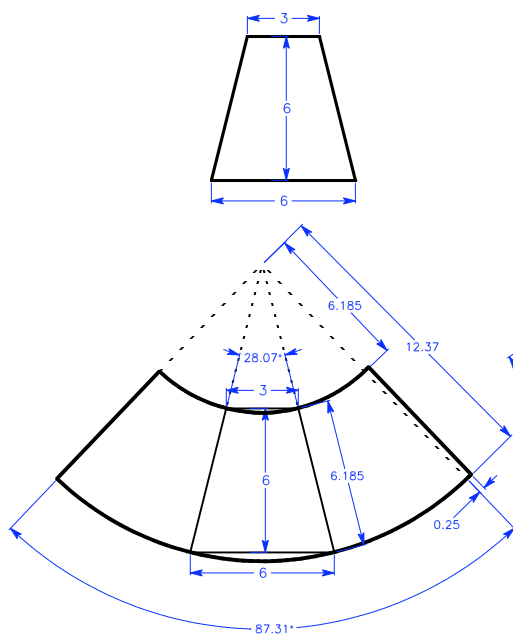


3" Reduction bell cones in various ratios

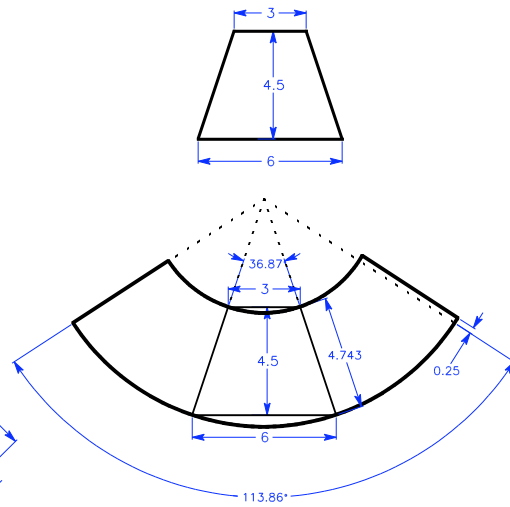
Use 16awg stainless sheet steel to make these. Regular 304 ss is ok.
Files include a 1/4" overlap at the seam

Cone Ratios
 1SmD x 2H x 2LgD

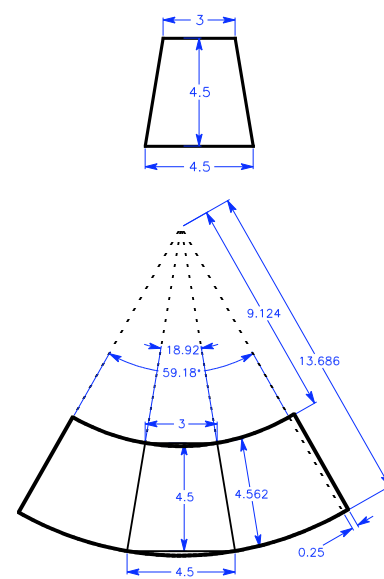
*Default GEK reduction
 bell as of v2.3*



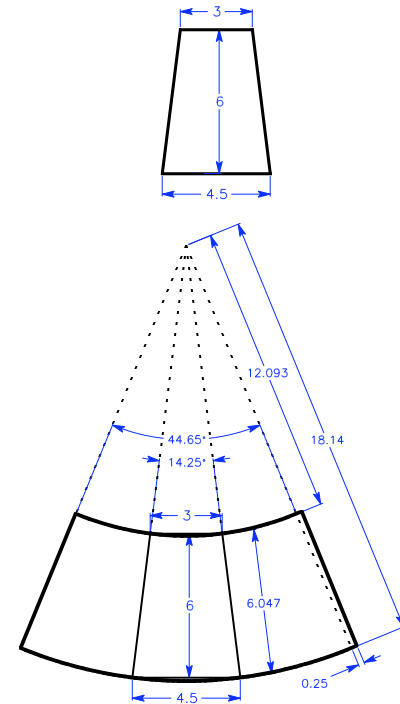
Cone Ratios
 1SmD x 1.5H x 2LgD



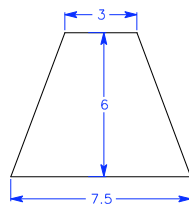
Cone Ratios
 1SmD x 1.5H x 1.5LgD



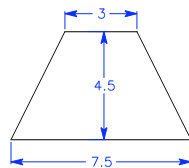
Cone Ratios
 1SmD x 2H x 1.5LgD



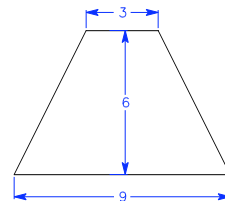
Other cone ratios of interest, but will not fit in default GEK downdraft



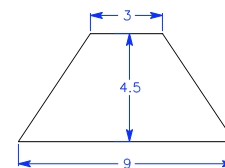
Ratios:
 1TD x 2H x 2.5BD



Ratios:
 1TD x 1.5H x 2.5BD



Ratios:
 1TD x 2H x 3BD



Ratios:
 1TD x 1.5H x 3BD